

Platform Spec:

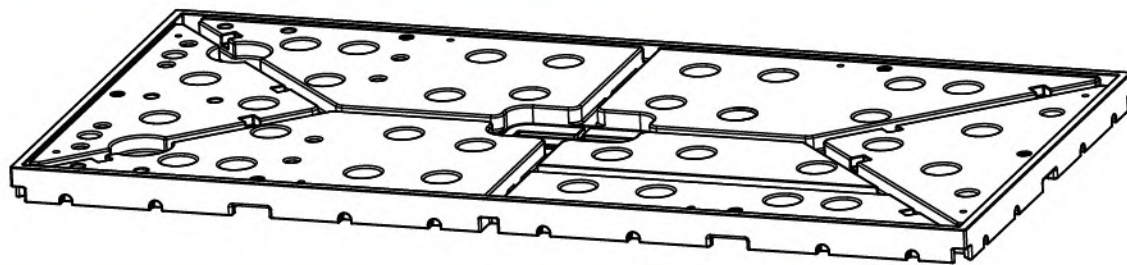
V.02

Platform bearing: 300KGS MAX/ pcs

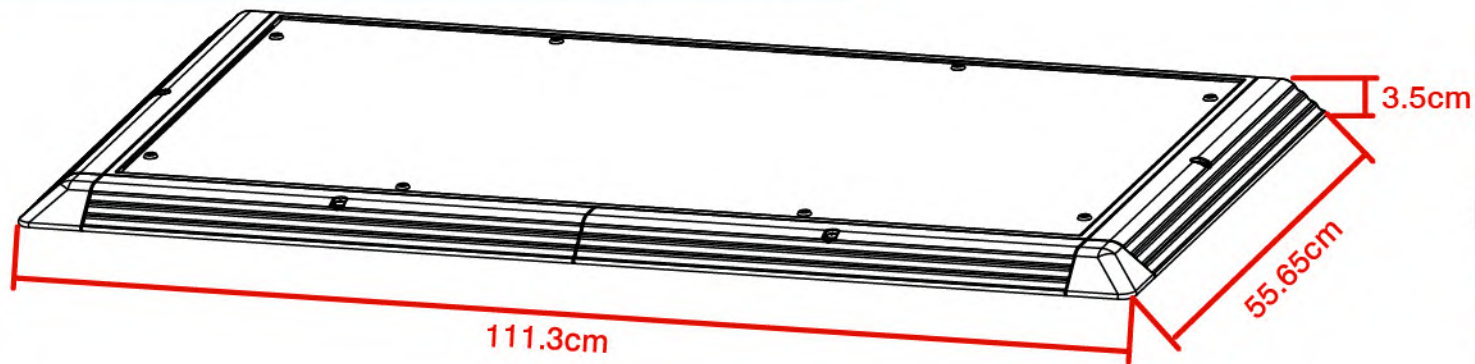
Coverplate size:: 95.4*46.4cm



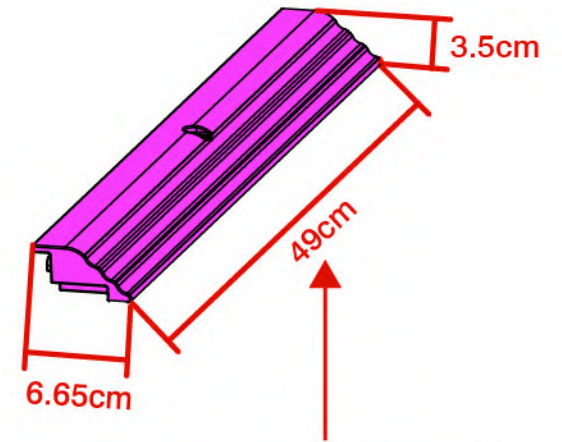
The base size:: 98*49*3.5cm



Size after installation: 111.3*55.65*3.5cm/pcs

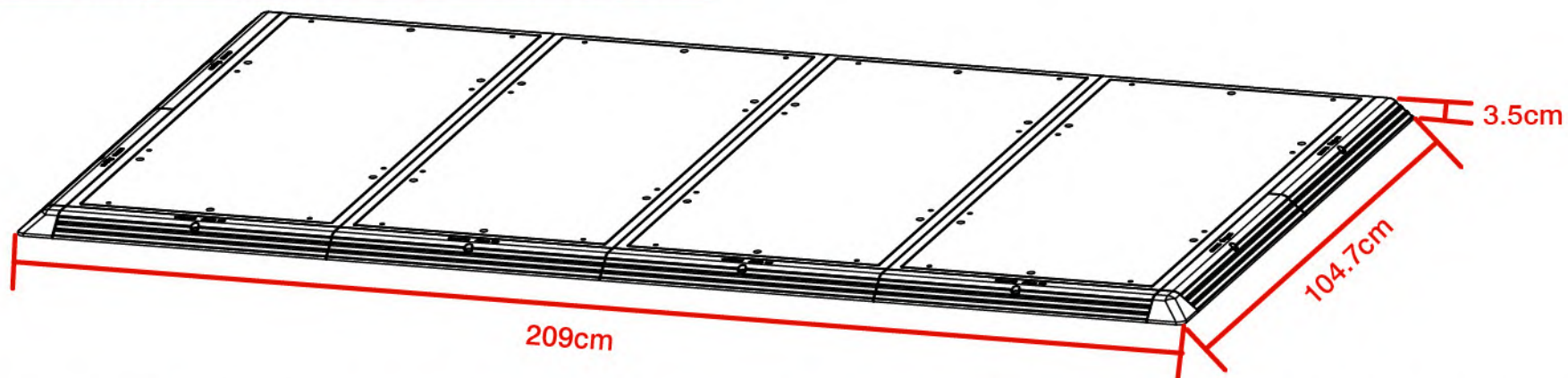


Lighting bar size: 49*6.6*3.5cm/pcs



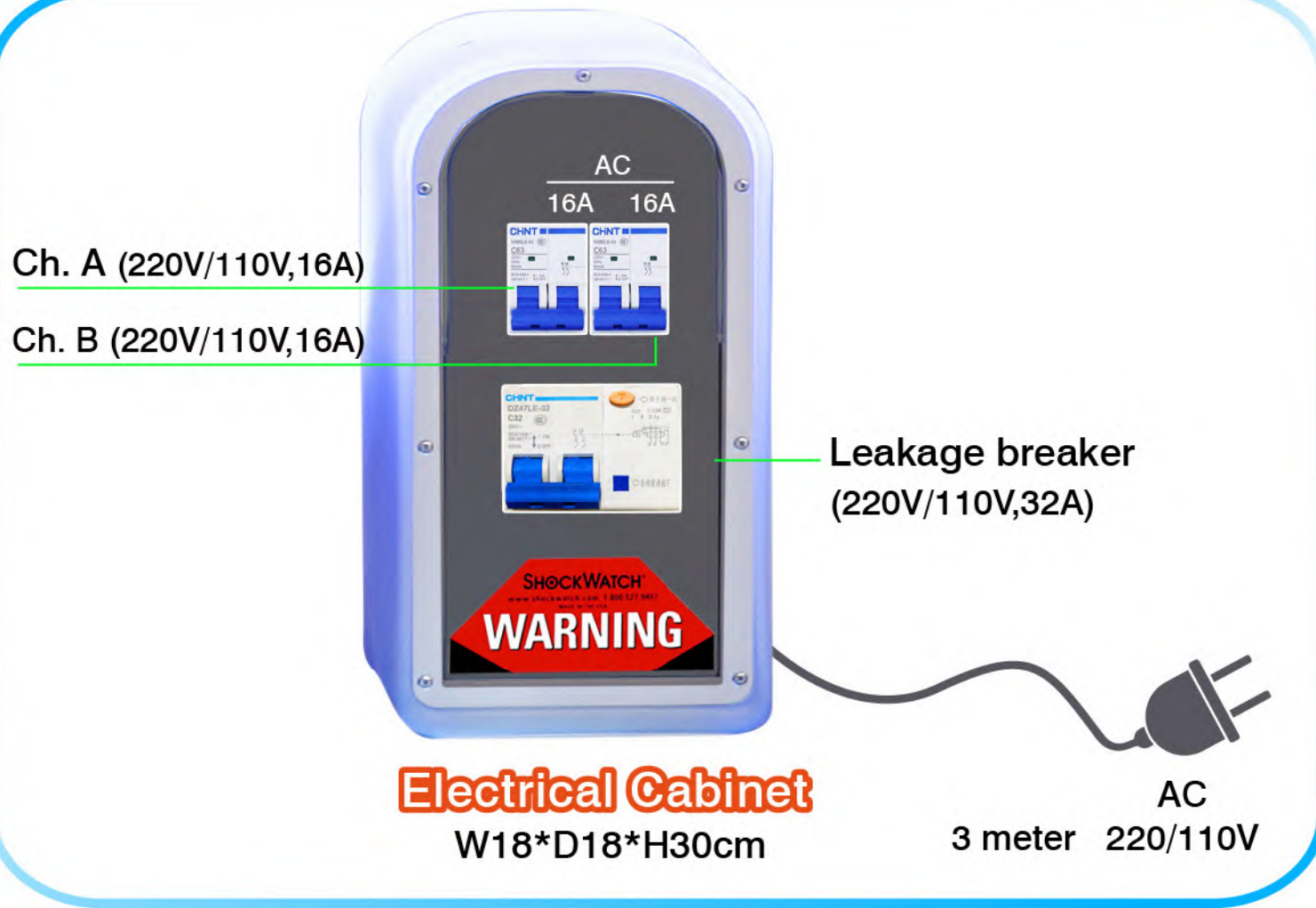
Neon strip light inside the bar
Neon Flash rate can be set
(Fast, midium, slow x3 level)

2 m² sample size: 209*104.7*3.5cm/pcs



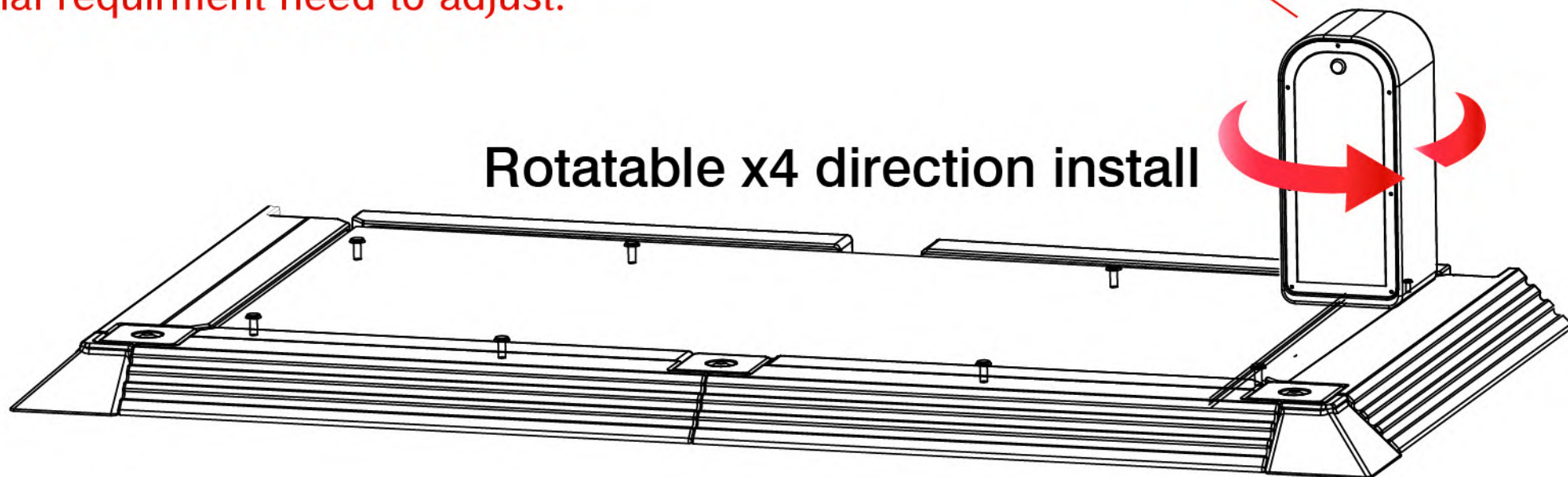
One LED power supply supports 8-10 meters lighting bar (power supply installed inside the Platform Mat)

Electrical Cabinet spec:




*Each electrical cabinet support max 32A

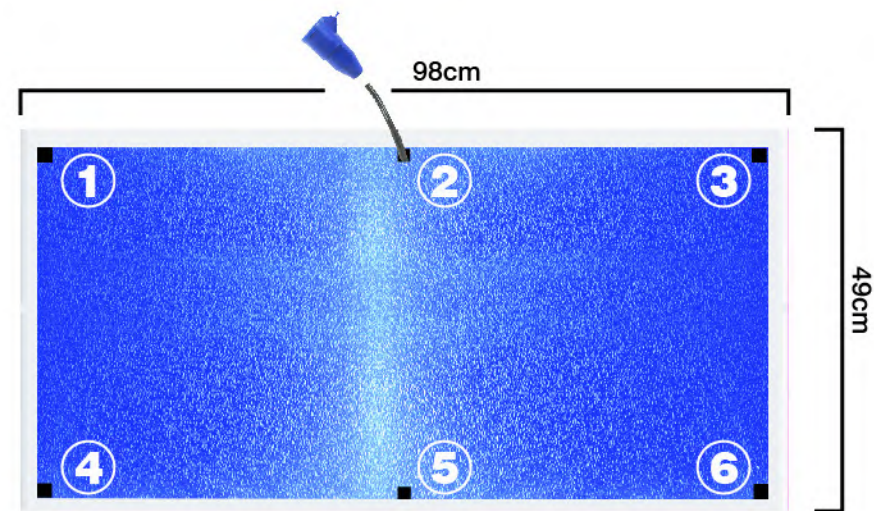
*Special requirment need to adjust.



Platform spec:

AC Plug position: Any hole from position 1~6


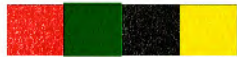
1. Plug power max: 2300W/10A-250V
2. Size: W98*D49*H3.5cm
3. Each one has 1~6 position for connecting socket
4. With anti-slip and washable coverplate
5. Coverplate Color: 





4m² sample design




SKD Kits


Platform Module:  x 8 pcs Coverplate color: 


Lighting bar:  x 12 pcs

LED power supply:  x 1 pcs

LED control board:  x 1 pcs

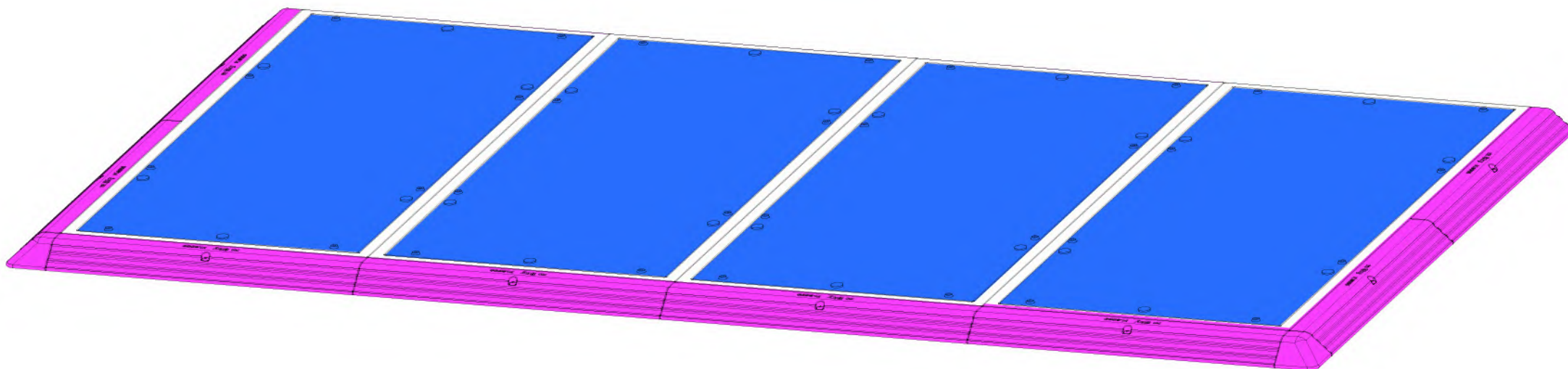
Power socket:  x 8 pcs (built-in)

AC cable 3m:  x 1 pcs (Option)

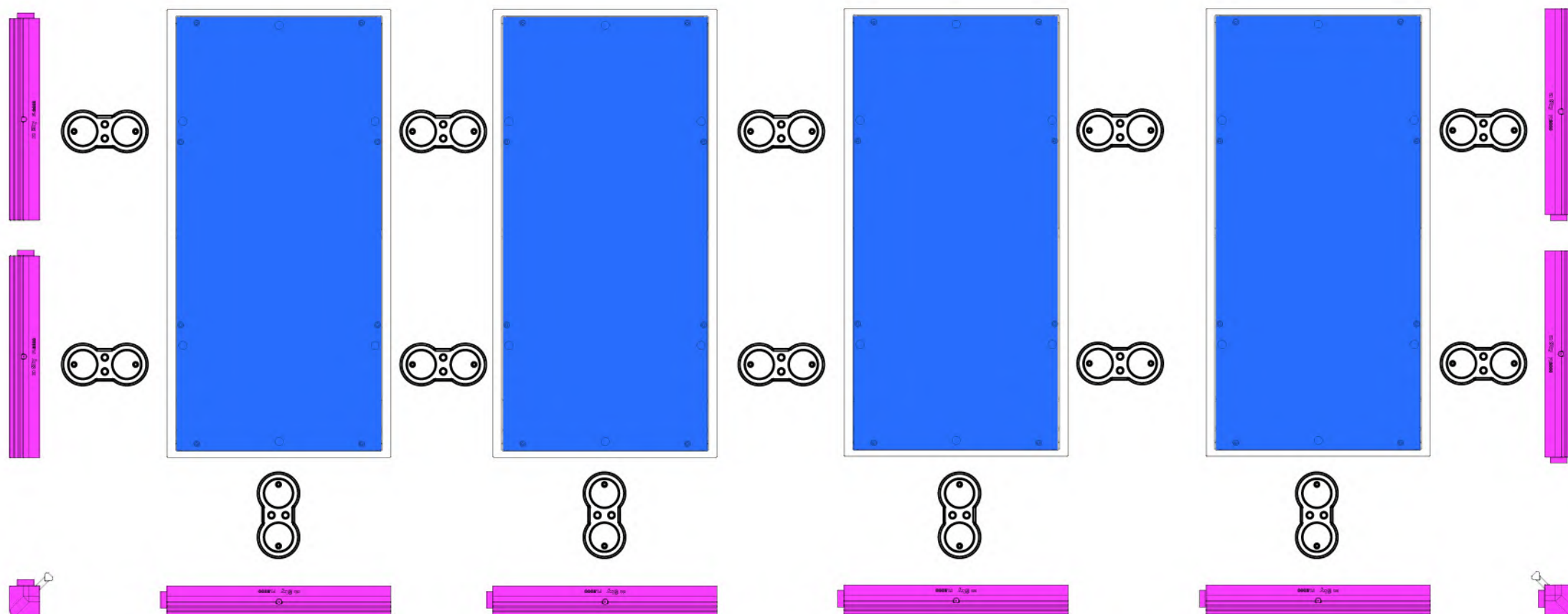
AC plug:  x 4 pcs

Installation Instruction:

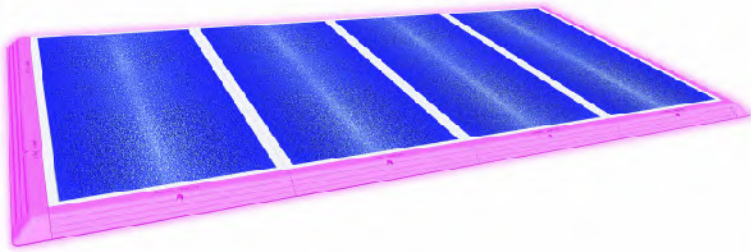
2m² sample



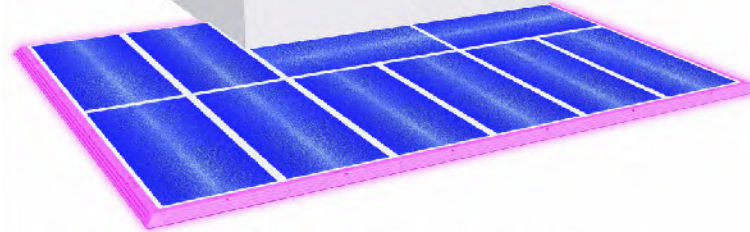
Top view



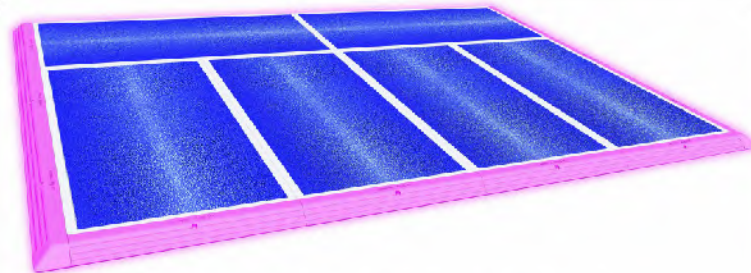
Fun Island install sample:



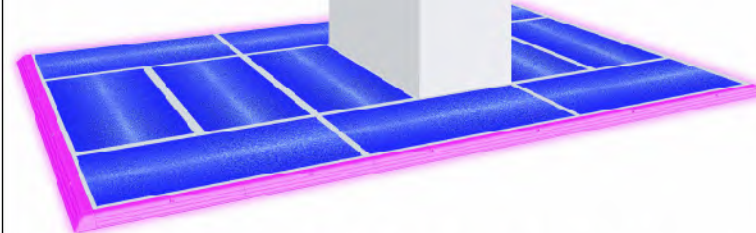
0.5m x 4pcs = 2 square meter



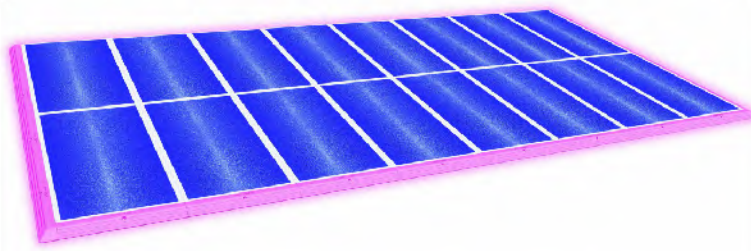
0.5m x 10pcs = 5 square meter



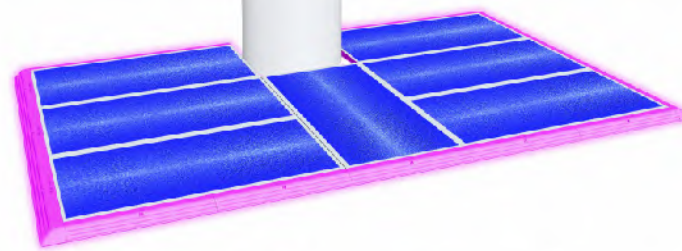
0.5m x 6pcs = 3 square meter



0.5m x 11pcs = 5.5 square meter



0.5m x 16pcs = 8 square meter



0.5m x 7pcs = 3.5 square meter



Refer:15 square meter



Refer:8+1 square meter